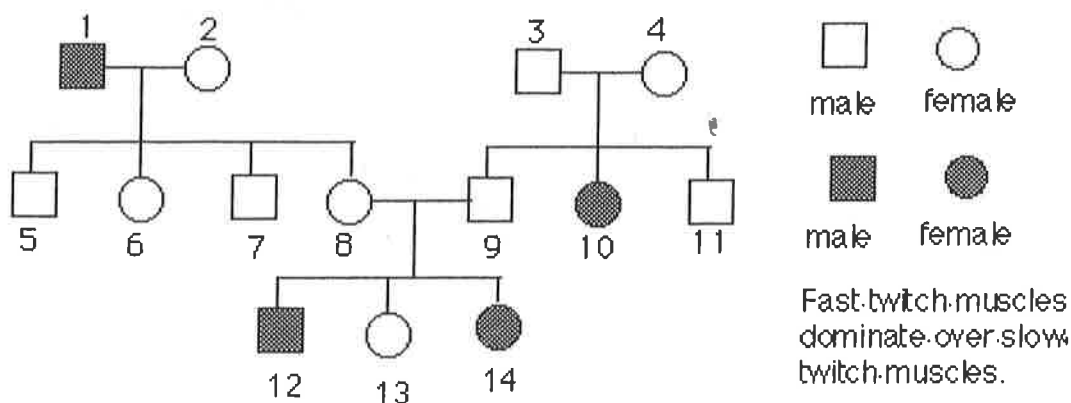


Part 10: Pedigree Charts:

In genetics, traits can be traced over several generations similar to a family tree. This family tree is called a Pedigree chart. Pedigree charts are useful in gathering background genetic information that can be used for medical reasons. Horse race enthusiasts also rely heavily on pedigree charts to predict a horse's success. When interpreting pedigree charts remember square are male and circles are females

1. Use the below pedigree chart to answer the following three questions. Muscle type is not a sex linked characteristic.



- Place the genotypes of each individual below its symbol.
 - What is the genotype of individual #3 and 4?
 - Can either individual #8 or 9 be homozygous?
 - Explain the family relationship that #12 has with #2.
2. Label the genotype for each of the individuals below its symbol on the pedigree chart (note: eye color is **not** a sex-linked trait).

